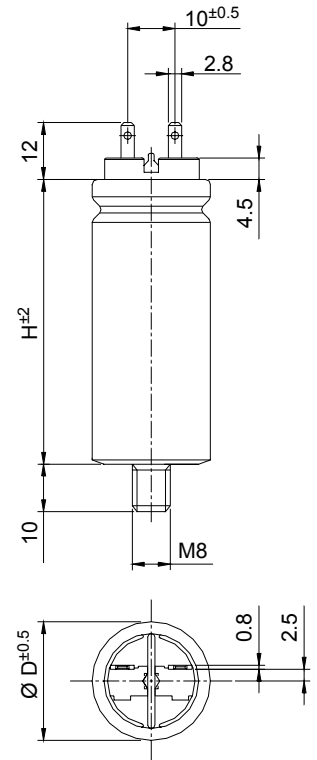


TECHNICAL DATA

General technical data	VDE 0560 - IEC61071 - EN61071
Application class (DIN 40040)	GPD / LS
Temperature range (Case)	-40 to + 85 °C
Max permissible ambient temperature	+70 °C
Capacitance tolerance code (15 th digit)	J = ± 5% ; K = ± 10%
Peak non-repetitive max current	$I_{PKR} \times 1.5$
Test voltage terminal to case U_{TT}	$1.5 U_{RMS}$ for 60 seconds
Test voltage terminal to case U_{TC}	$3kV_{DC}$ 50Hz for 60 seconds
Rated insulation voltage U_i	700 V – 50 HZ – Insulation group B (VDE 0110 part 1)
Dissipation factor ($tg\delta$)	$\leq 5 \times 10^{-4}$ at 1 kHz and 20 °C
Permissible relative humidity	Annual average $\leq 95\%$ on 30 days / year, continuously 100% on other days occasionally 100%. Dewing not admissible
IEC climatic category	40 / 85 / 21
Degree of protection	IP00
Capacitance deviation in the operating temperature range of –40 to +85 °C	$\pm 1.5\%$ max on capacitance value measured at +20 °C
Change of capacitance versus operating time	-3% after 30.000 hours at U_{RMS} or after 100.000 hours at U_n
Case components	Aluminium case plus plastic insulating deck flame retardant execution (UL class 94 V1) .
Terminals	Tinned brass fastons or screws (See figures on top)
Installation	Whatever Position
Life Expectancy	≥ 30.000 hours at U_{RMS} ; ≥ 100.000 hours at U_n
Failure quota	300 / 10^9 components hour

PEAK VOLTAGE TABLE

Un Vdc	U _{PK} Vdc	U _{RMS} Vac
1200	1600	500
2000	2400	630

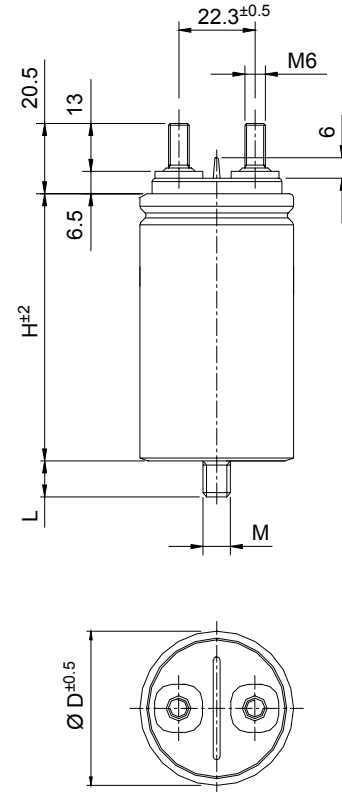


GENERAL CHARACTERISTICS

Codes	C µF	Un Vdc	Tgδ x 10 ⁴		ESR Typ. mΩ	dv/dt V/µs	I _{RMS} A	I _{PKR} A	Case		Approx Weight g
			Max	Typ.					D	H	
C44BPF13100ZB0J	0.1	1200	5	2	25	500	4	50	25	60	35
C44BPF13150ZB0J	0.15	1200	5	2	24	500	4	75	25	60	35
C44BPF13220ZB0J	0.22	1200	5	2	23	500	5	120	25	60	35
C44BPF13330ZB0J	0.33	1200	5	2	16	500	6	165	25	60	35
C44BPF13470ZB0J	0.47	1200	5	2	10	500	6	235	25	60	35
C44BPF13680ZB0J	0.68	1200	5	2	9	500	6	340	35	60	70
C44BPF14100ZB0J	1	1200	5	2	4	500	6	500	35	60	70
C44BPF14150ZA0J	1.5	1200	5	2	3	500	6	750	45	60	100
C44BWF12470ZA0J	0.047	2000	5	2	30	750	4	35	25	60	35
C44BWF13100ZA0J	0.1	2000	5	2	27	750	5	75	25	60	35
C44BWF13150ZA0J	0.15	2000	5	2	26	750	6	113	25	60	35
C44BWF13220ZA0J	0.22	2000	5	2	25	750	6	165	35	60	70
C44BWF13330ZA0J	0.33	2000	5	2	20	750	6	250	35	60	70
C44BWF13470ZA0J	0.47	2000	5	2	15	750	6	350	40	60	85
C44BWF13680ZA0J	0.68	2000	5	2	10	750	6	510	45	60	100

MECHANICAL CHARACTERISTICS

Case	Brass screw terminals			Bolt		
	Driving Torque Nm	Creepage Distance	Clearance In air	M	L	Driving Torque Nm
45	4	14	10	M 8	10	6
50	4	14	10	M 8	10	6
55	4	16	10	M 12	12.5	10
60	4	18	10	M 12	12.5	10
65	4	20	10	M 12	12.5	10
70	4	22	10	M 12	12.5	10



PEAK VOLTAGE TABLE

Un Vdc	U _{PK} Vdc	U _{RMS} Vac
2400	4000	1000

GENERAL CHARACTERISTICS

Codes	C µF	Un Vdc	U _{RMS} Vac	tgδ x 10 ⁻⁴		dv/dt V/µs	I _{RMS} A	I _{PKR} A	Case		Approx Weight g
				Max	Typ.				D	H	
C44BXFP3100ZA0J	0.1	2400	1000	5	2.5	500	5	50	45	78	135
C44BXFP3220ZC0J	0.22	2400	1000	5	2.5	500	5	110	45	78	135
C44BXGP3330ZC0J	0.33	2400	1000	5	2.5	500	6	165	55	78	220
C44BXFP3470ZA0J	0.47	2400	1000	5	2.5	500	10	235	45	105	180
C44BXFP4100ZB0J	1	2400	1000	5	2.5	500	15	500	50	100	200
C44BXFP4150ZA0J	1.5	2400	1000	5	2.5	500	18	750	50	135	280
C44BXGP4200ZA0J	2	2400	1000	5	2.5	500	22	1000	55	200	410
C44BXGP4250ZA0J	2.5	2400	1000	5	2.5	500	22	1250	55	200	410
C44BXGP4300ZA0J	3	2400	1000	5	2.5	500	25	1500	65	175	620
C44BXGP4400ZA0J	4	2400	1000	5	2.5	500	25	2000	65	200	650