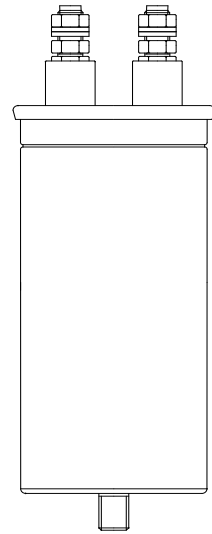


ALUMINIUM CASE - SAFETY DEVICE (FPU) PROTECTED 10000 AFC -25 ... +70°C



TECHNICAL DATA

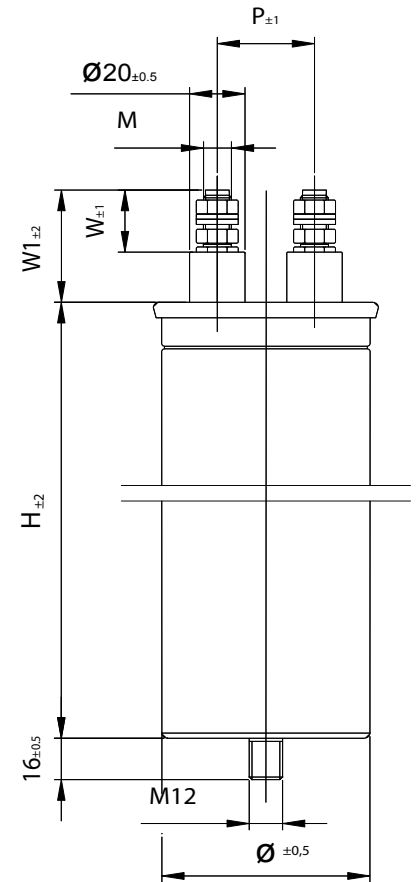
General technical data	IEC 1071 , EN 61071 , VDE 0560 - 12
Application class (DIN 40040)	HSF / LR according to DIN 40040
Temperature range (Case)	-25 to + 70 °C
Temperature storage	-55 to + 85 °C
Max permissible ambient temperature	+70 °C
Capacitance tolerance code (15 th digit)	J = ± 5% ; K = ± 10%
Test voltage terminal to terminal UTT	2,15 U _{RMS} for 10 seconds at 25°C
Test voltage terminal to case UTC	4kV - 50Hz for 60 seconds
Rated insulation voltage Ui	3600Vac for 10 seconds at 25°C for V _{rms} <600Vac 6000Vac for 10 seconds at 25°C for V _{rms} ≥600Vac
Insulation Resistance	≥10.000MΩ x μF
Dissipation Factor tgδ	≤3 x 10 ⁻⁴ (Vn, 50Hz)
Damp heat test	Permissible relative humidity: Annual average ≤ 95% on 30 days / year, continuously 100% on other days occasionally 90%. Dewing not admissible
IEC climatic category	25 / 70 / 56 according to IEC 68-1
Degree of protection	IP00
Capacitance deviation in the operating temperature range of -40 to +70 °C	±1.5% max on capacitance value measured at +20 °C
Change of capacitance versus operating time	-3% after 100.000 hours at U _{RMS}
Terminations	Plastic Insulator with screw terminals M10
Installation	Space for safety device ≥15mm
Life Expectancy	≥ 100.000 hours at U _{RMS}
Failure quota	300 / 10 ⁹ components hour

PEAK VOLTAGE TABLE

U_{RMS} Vac	U_n Vdc	U_{PK} Vdc
250	400	600
330	500	700
440	750	1000
550	750	940
640	900	1130
780	1100	1380

GENERAL CHARACTERISTICS

Code	C μF	U V _{DC}	U_{RMS} V _{AC}	I_{RMS} A	I_{PKR} A	D mm	H mm	Weight kg
C44PFGR6200ZA0J	200	400	250	60	2000	85	155	1.0
C44PFGR6250AA0J	250	400	250	60	2500	85	195	1.1
C44PFGR6300ZA0J	300	400	250	60	3000	75	268	1.2
C44PFGR6400ZA0J	400	400	250	65	4000	85	268	1.7
C44PFGR6500AA0J	500	400	250	65	5000	85	268	1.7
C44PFGR6600AA0J	600	400	250	65	6000	95	280	2.1
C44PLGR6100AASJ	100	500	330	25	1500	65	115	0.5
C44PLGR6200ZASJ	200	500	330	43	3000	65	145	0.6
C44PLGR6300ZASJ	300	500	330	50	4500	65	247	0.8
C44PLGR6400ZASJ	400	500	330	50	6000	65	247	1.0
C44PLGR6500ZASJ	500	500	330	58	7500	75	247	1.2
C44PLGR6600ZASJ	600	500	330	70	9000	85	270	1.3
C44PKGR6100AASJ	100	750	440	30	2000	75	147	0.7
C44PKGR6133AASJ	133	750	440	40	3000	65	247	0.8
C44PKGR6150AASJ	150	750	440	45	3000	65	247	1.0
C44PKGR6200AASJ	200	750	440	55	4000	75	247	1.2
C44PKGR6300AASJ	300	750	440	60	4000	85	247	1.6
C20AKGR5220AASK	22	750	550	40	1540	65	117	0.4
C20AKGR5330AASK	33	750	550	45	2310	75	117	0.5
C20AKGR5470AASK	47	750	550	50	3290	65	247	0.8
C20AKGR5680AASK	68	750	550	55	4760	65	247	1.0
C20AKGR6100AASK	100	750	550	60	7000	75	247	1.5
C20AKGR6120AASK	120	750	550	60	8400	85	247	2.0
C20AKGR6150AASK	150	750	550	60	10500	95	247	2.3
C20ALGR5150AASK	15	900	640	45	1350	65	117	0.4
C20ALGR5220AASK	22	900	640	45	1980	75	147	0.5
C20ALGR5330AASK	33	900	640	50	2970	75	147	0.8
C20ALGR5470AASK	47	900	640	55	4230	65	247	1.0
C20ALGR5680AASK	68	900	640	60	6120	75	247	1.5
C20ALGR6100AASK	100	900	640	60	9000	95	247	2.3
C20ALGR6120AASK	120	900	640	60	10800	95	280	2.5
C20ALGR6150AASK	150	900	640	60	13500	116	280	3.0
C20AQGR5100AASK	10	1100	780	30	1000	65	147	0.4
C20AQGR5150AASK	15	1100	780	45	1500	75	147	0.5
C20AQGR5220AASK	22	1100	780	45	2200	75	147	0.8
C20AQGR5330AASK	33	1100	780	50	3300	85	147	1.2
C20AQGR5470AASK	47	1100	780	55	4700	75	247	1.5
C20AQGR5680AASK	68	1100	780	60	6800	85	247	2.0
C20AQGR6100AASK	100	1100	780	60	10000	95	280	2.5



Max Driving Torque: 10 Nm
Creepage Distance: > 10mm
Clearance in Air: > 10mm
Insulation Group: D

P = 28mm for D = 65mm
P = 35mm for D ≥ 75mm

Care should be taken to ensure that there still is electrical clearance of 15 mm between terminations and other live or earthed parts above the capacitor, in case of safety device activation.