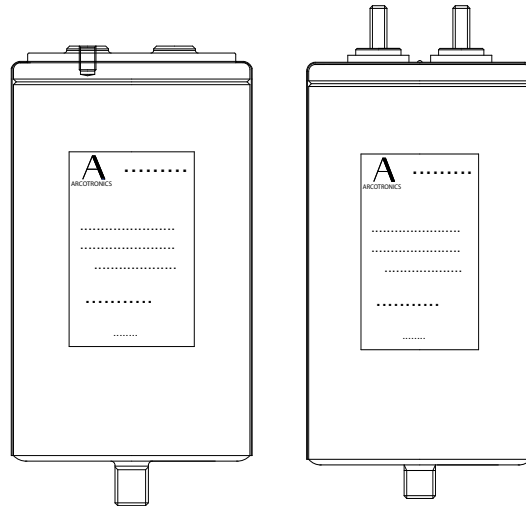


High Capacitance density

High Ripple Current

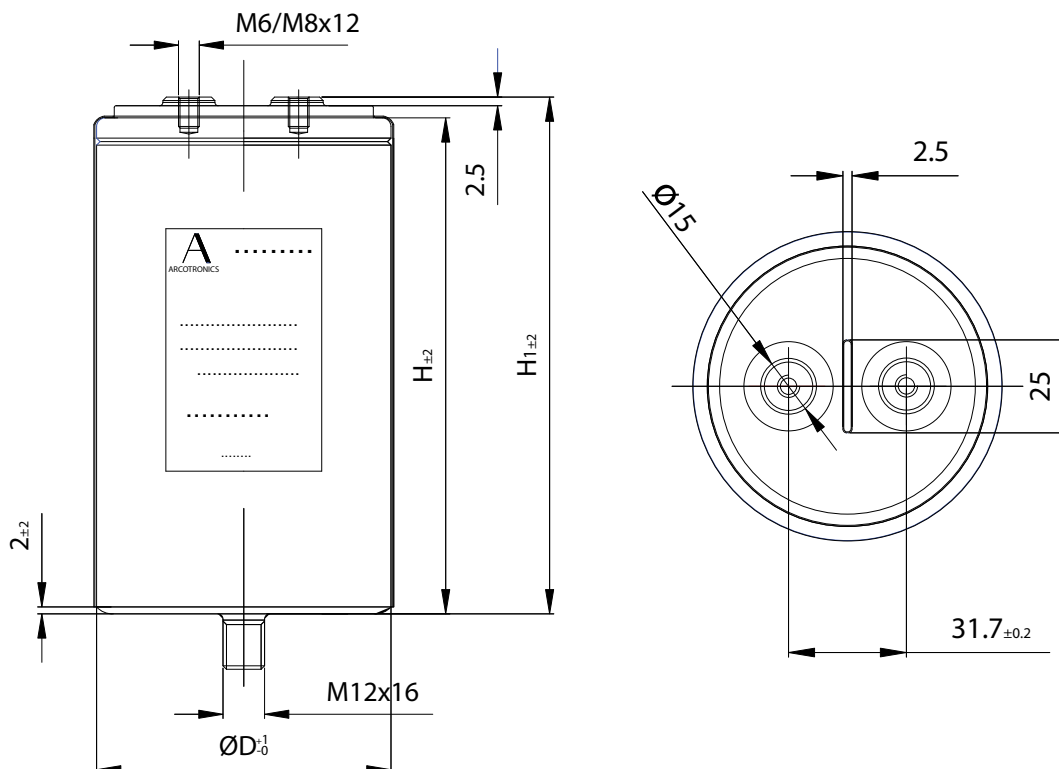


TECHNICAL DATA

Reference Standards	IEC 1071, EN 61071
IEC climatic category	40/85/21 according to IEC 68-1
Storage Temperature	-40 to +105°C
Temperature range (Case)	-40 to +85 °C
Case	Aluminium case with or without, threaded bolt M12
Deck	Plastic deck flame retardant execution UL94 V0 with high current M6 or M8 female terminals
Test voltage terminal to terminal (U _{TT})	1.5*Un for 2 s at 25°C
Test voltage terminal to case (U _{TC})	3 kV 50Hz for 2 sec.
Life expectancy	100,000 hours at Un and 85°C
Failure quota	300/10 ⁹ components hours
Capacitance deviation in temperature range (-25..+85°C)	± 1,5% max on capacitance value at 20°C
Changes of capacitance as function of operating time	- 10% after 100.000 hours at Un
Vibration strength	DIN 40040, table 6,class V
Installation	Whatever position

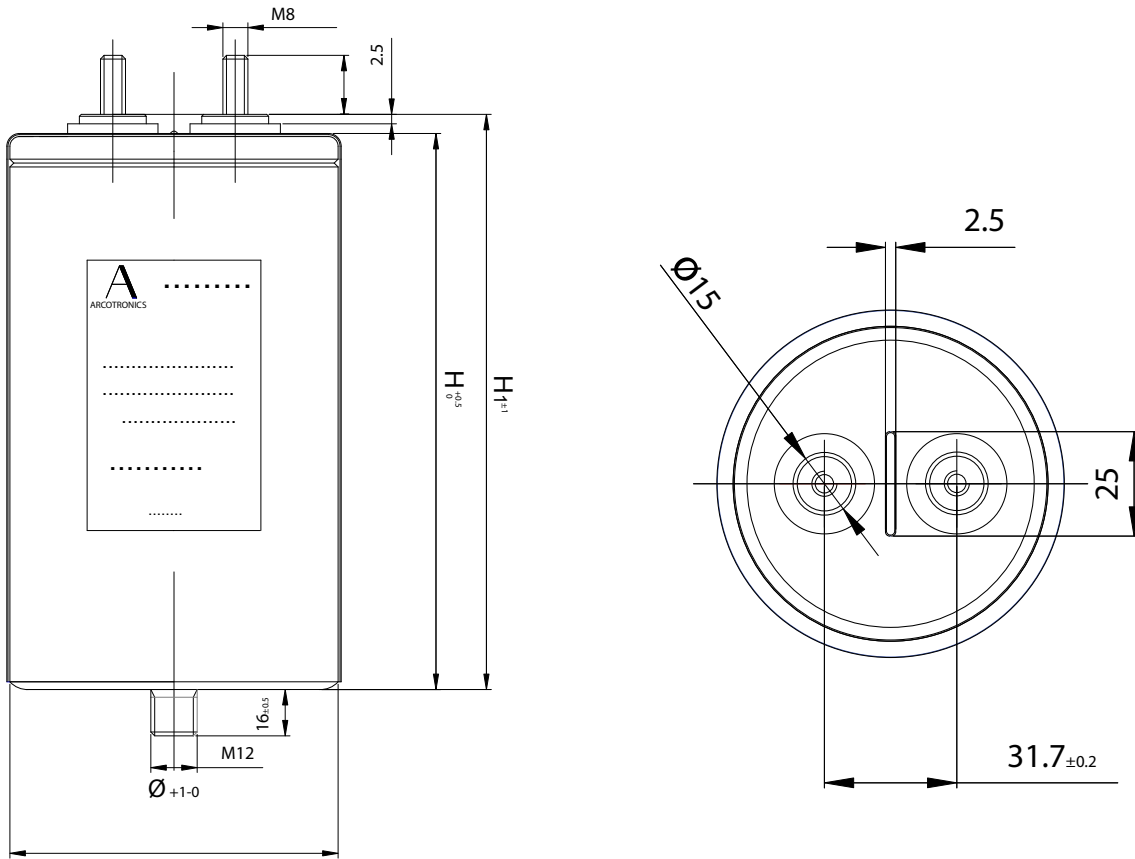
D mm	H ≥ 125mm	H < 125mm
76	9	18
85	5	10

- 6th Code digit ⇒ G Case WITH M12 STUD
E Case WITH NO STUD
- 7th Code digit ⇒ T M6 FEMALE Terminals
Y M8 FEMALE Terminals
Q M8 MALE Terminals
- 13th Code digit⇒ 7 Case D 76mm
8 Case D 85mm
- 14thCode digit ⇒ T Standard MKP
S Segmented MKP



GENERAL CHARACTERISTICS

Code	C µF	Vdc V	dv/dt V/µs	I _{PKR} Ap	ESL nH	ESR mΩ (10kHz)	I _{RMS} A 10 kHz (40°C)	I _{RMS} A 10 kHz (55°C)	I _{RMS} A 10 kHz (75°C)	DIM (mm)			Weight gr
										Ø	H	H1	
C44UJGT6120A7TK	120	700	21	2520	36	1.0	63	55	33	76	55	61	280
C44UJGT6160A8TK	160	700	21	3360	36	0.8	73	60	38	85	55	61	354
C44UJGT6175A7TK	175	700	14	2450	40	1.2	62	52	34	76	70	76	348
C44UJGT6225A8TK	225	700	14	3150	40	1.1	70	60	35	85	70	76	414
C44UJGT6350A7SK	350	700	7	2450	50	2.6	55	45	30	76	120	126	569
C44UJGT6425A7SK	425	700	6	2550	60	3.1	55	45	30	76	140	146	656
C44UJGT6450A8SK	450	700	7	3150	50	2.2	65	55	32	85	120	126	723
C44UJGT6550A8SK	550	700	6	3300	60	2.5	65	55	32	85	140	146	831
C44UOGT5750A7TK	75	900	26	1950	36	1.1	57	47	30	76	55	61	283
C44UOGT6100A8TK	100	900	26	2600	36	1.0	65	53	32	85	55	61	355
C44UOGT6110A7TK	110	900	17	1870	40	1.5	57	47	30	76	70	76	324
C44UOGT6150A8TK	150	900	17	2550	40	1.2	65	55	35	85	70	76	437
C44UOGT6220A7SK	220	900	9	1980	50	3.2	50	42	27	76	120	126	574
C44UOGT6275A7SK	275	900	7	1925	60	3.7	50	42	28	76	140	146	654
C44UOGT6300A8SK	300	900	9	2700	50	2.5	60	50	30	85	120	126	711
C44UOGT6350A8SK	350	900	7	2450	60	3.1	60	48	30	85	140	146	833
C44UQGT5500A7TK	50	1100	31	1550	36	1.3	52	43	30	76	55	61	265
C44UQGT5700A8TK	70	1100	31	2170	36	1.1	62	50	30	85	55	61	356
C44UQGT5750A7TK	75	1100	21	1575	40	1.7	58	43	30	76	70	76	352
C44UQGT6100A8TK	100	1100	21	2100	40	1.4	60	50	32	85	70	76	414
C44UQGT6150A7SK	150	1100	11	1650	50	3.8	45	38	25	76	120	126	577
C44UQGT6190A7SK	190	1100	9	1710	60	4.3	47	38	25	76	140	146	654
C44UQGT6200A8SK	200	1100	11	2200	50	3.0	55	45	30	85	120	126	723
C44UQGT6250A8SK	250	1100	9	2250	60	3.5	55	45	30	85	140	146	824



GENERAL CHARACTERISTICS

Code	C μF	Vdc V	dv/dt V/μs	I _{PKR} Ap	ESL nH	ESR mΩ (10kHz)	I _{RMS} A 10 kHz (40°C)	I _{RMS} A 10 kHz (50°C)	I _{RMS} A 10 kHz (60°C)	DIM (mm)			Weight gr
										∅	H	H1	
C44UOGQ6200F7SK	200	900	10	2000	36	2.4	45	36	25	76	95	101	645
C44UOGQ6270F7SK	270	900	10	2700	36	1.8	50	40	30	76	95	101	610
C44UOGQ6370F8SK	370	900	10	3700	40	1.5	60	50	35	85	95	101	715
C44UOGQ6510F8SK	510	900	7	3570	40	1.9	60	50	35	85	120	126	840
C44UOGQ6600F8SK	600	900	7	4200	40	2.2	58	47	33	85	140	146	950
C44UQGQ6130F7SK	130	1100	12	1560	36	2.8	40	33	23	76	95	101	580
C44UQGQ6175F7SK	175	1100	12	2100	36	2.2	46	38	27	76	95	101	610
C44UQGQ6240F8SK	240	1100	12	2880	40	1.7	56	46	32	85	95	101	710
C44UQGQ6280F7SK	280	1100	7	1960	40	3.5	43	35	25	76	140	146	805
C44UQGQ6330F8SK	330	1100	7	2310	40	3	50	40	28	85	140	146	990
C44UQGQ6500F8SK	500	1100	12	6000	80	1.3	90	72	50	85	174	180	1120
C44UUGQ5900F7SK	90	1300	15	1350	36	3.5	37	30	22	76	95	101	580
C44UUGQ6120F7SK	120	1300	15	1800	36	2.7	43	35	24	76	95	101	610
C44UUGQ6165F8SK	165	1300	15	2475	40	2.1	52	42	30	85	95	101	716
C44UUGQ6195F8SK	195	1300	9	1755	50	4.2	40	33	23	76	140	146	797
C44UUGQ6250F8SK	250	1300	9	2250	50	3.5	47	39	27	85	140	146	957
C44UUGQ6320F8SK	320	1300	15	4800	80	1.6	82	67	47	85	174	180	1130
C44UUGQ6550F8SK	550	1300	9	4950	100	2.3	82	67	47	85	264	270	1600